

Model: C2E-315

1. Function:

C2E-315 is a plug and play, fully auto-dry cabinet which will be stable at $\leq 5\%RH$. There is no need to set the panel buttons at all. It is especially designed for moisture sensitive SMD packages to comply with J-STD-033B.

2. Features:

- 2.1 Modular Design:** This is a modularly designed dry cabinet. The main modules are display controller, power box, dehumidifier, shelf, caster wheel, cable. All of the modules can be replaced easily.
- 2.2 Green Design:** The performance of the dry cabinet can be upgraded by just changing the modules. There will be no waste materials created to pollute the environment. The old modules can be collected and sent back to the maker. Dryzone dry cabinets can be used as long as the cabinet structure is in good condition. It means that the product life could last for 10 to 20 years.
- 2.3 Flexible Design:** The users can choose more dehumidifiers in the beginning or can add these modules in future. The units are so flexible that users can select and install modules at any time.
- 2.4 Easy Operation Design:** The dry cabinet is used for the storage of Moisture Sensitive Devices at relative humidity of under 5%RH, which meets the requirements of J-STD-033B. It is a plug and play dry cabinet. Considerable training costs are saved.



pic 1

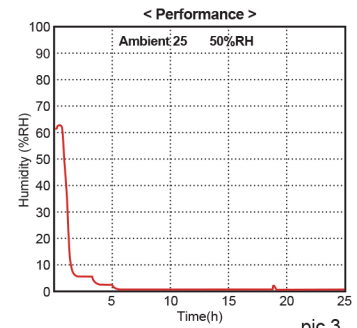
3. Specifications:

- 3.1 Humidity Range:** $\leq 5\%RH$
- 3.2 Outside Dimension:** W905*H1050*D475mm
- 3.3 Capacity:** 334L
- 3.4 Shelves:** 3 shelves
- 3.5 Color:** black
- 3.6 Voltage:** 110V/230V (select voltage in advance)
- 3.7 Display Precision:** $\pm 3\%RH$, $\pm 1^{\circ}C$
- 3.8 Structure:** 1mm thick carbon steel with antistatic paint.
- 3.9 Door:** Handles, airtight magnetic sealers and reinforced glass.
- 3.10 Wheel:** 4 antistatic 3" wheels, all of them with brakes.
- 3.11 Grounding Wire:** 1M Ω . (940mm long)
- 3.12 ESD Paint:** 10⁹~10¹⁰ Ω . (surface resistance)
- 3.13 Power Consumption:** Ave. 55Wh; Max. 150W
- 3.14 The best performance of the dry cabinet is achieved under the ambient condition of temperature below 30°C and relative humidity below 60%RH.**

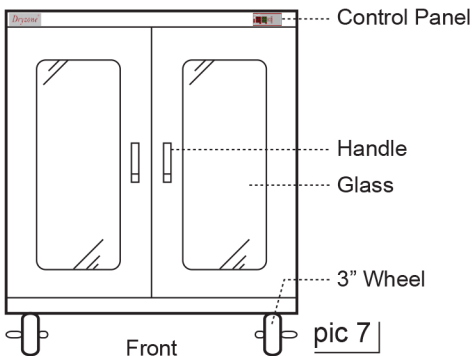


Control Panel

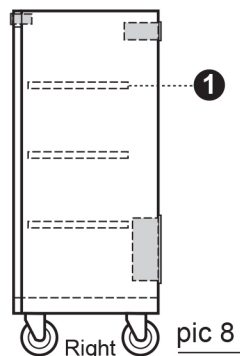
pic 2



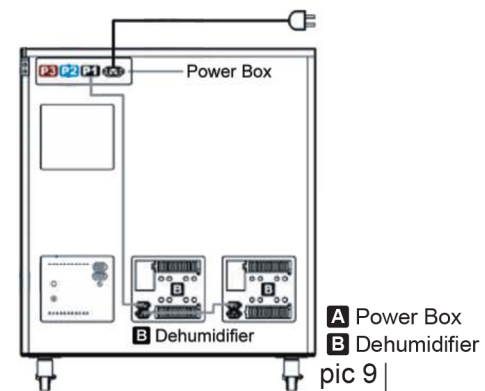
pic 3



pic 7



pic 8



pic 9